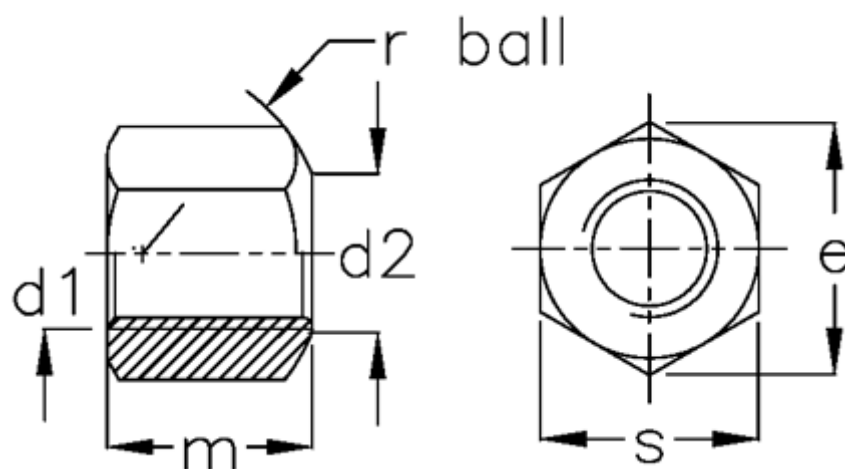


Data Sheet



Article number: 206330M10B
Description: E+G Hexagon nut
DIN 6330-M10-B

Measures



$d1 = m10$
 $d2 = 11.5$
 $e = 18.0$
 $m = 15$
 $r = 15$
 $s = 16$